

## Z537 15-7/8" SQUARE TOP HEAVY-DUTY PARKING DECK DRAIN WITH SUPPORT FLANGE



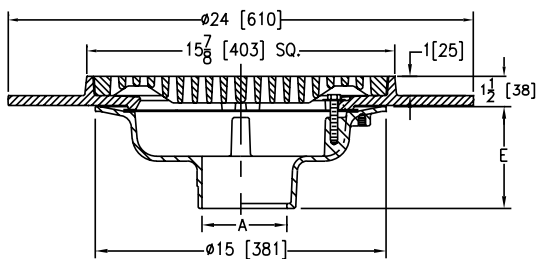
### ENGINEERING SPECIFICATION

Zurn Z537 15-7/8" square top parking deck drain features Dura-Coated cast iron body with bottom outlet, heavy-duty, gasketed drain support flange with heavy-duty, slotted ductile iron grate.

### NOTES

†Add 3/16" to 1-1/2" dimension for ZN

A Pipe Size inch [mm]	Grate Open Area sq in [cm <sup>2</sup> ]	Approximate Weight lb [kg]
2 [51], 3 [76], 4 [102], 6 [152]	79 [510]	122 [55]
8 [203]		124 [56]



BEST SELLERS	LIST PRICE
Z537-3NH	3,308.00
Z537-3NH-C	3,552.00
Z537-4NH	3,308.00
Z537-4NH-C	3,552.00
Z537-4NH-C-VP-Y	4,015.00

PREFIXES	DESCRIPTION	PIPE SIZE	LIST PRICE
Z537*	D.C.C.I. Body and Top	2", 3", 4", 6"	3,308.00
		8"	3,683.00
ZN537	D.C.C.I. Body with Polished Nickel Bronze Top	2", 3", 4", 6"	4,046.00
		8"	4,425.00

OUTLETS (SPECIFY PIPE SIZE IN INCHES AND TYPE OF OUTLET)			
OUTLET TYPE	PIPE SIZE/OUTLET TYPE	E BODY HT. DIM.	ADD
IP	Threaded	3IP, 4IP, 6IP, 8IP	3-3/4" 80.00
NH	No-Hub	3NH, 4NH, 6NH, 8NH	5-1/4" N/C
NL	Neo-Loc	2NL, 3NL, 4NL	4-5/8" N/C
SUFFIXES			ADD
-C	Underdeck Clamp		244.00
-G	Galvanized Cast Iron		1,093.00
-VP	Vandal-Proof Secured Top		149.00
-Y	Sediment Bucket		314.00

BEST SELLERS	LIST PRICE
Z537-4NH-VP	3,457.00
Z537-4NH-VP-Y	3,771.00
Z537-4NH-Y	3,622.00
Z537-4NL	3,308.00
Z537-6NH	3,308.00
Z537-6NH-C	3,552.00
Z537-6NH-C-G-VP-Y	5,108.00
Z537-6NH-C-VP-Y	4,015.00
Z537-6NH-C-Y	3,866.00
Z537-6NL	3,308.00
Z537-8NH	3,683.00

## Z539 12-1/4" HEAVY-DUTY DRAIN WITH DEEP SUMP



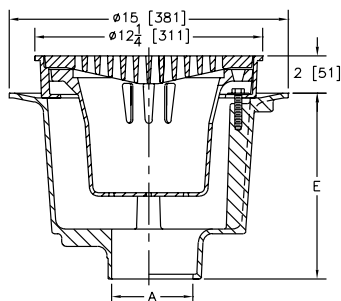
### ENGINEERING SPECIFICATION

Zurn Z539 12-1/4" diameter top drain features Dura-Coated cast iron deep sump body with bottom outlet, seepage pan, and combination membrane flashing clamp and frame for sediment bucket and heavy-duty, slotted grate.

### NOTES

†Add 3/16" to 2" dimension and 3/4" to 12-1/4" dimension for ZN

A Pipe Size inch [mm]	Grate Open Area sq in [cm <sup>2</sup> ]	Approximate Weight lb [kg]
3 [76], 4 [102], 6 [152]	30 [194]	68 [31]
8 [203]		



PREFIXES	DESCRIPTION	PIPE SIZE	LIST PRICE
Z539*	D.C.C.I. Body and Top	3", 4", 6"	1,781.00
		8"	2,079.00
ZN539	D.C.C.I. Body with Polished Nickel Bronze Top	3", 4", 6"	2,561.00
		8"	2,857.00

OUTLETS (SPECIFY PIPE SIZE IN INCHES AND TYPE OF OUTLET)			
OUTLET TYPE	PIPE SIZE/OUTLET TYPE	E BODY HT. DIM.	ADD
NH	No-Hub	3NH, 4NH, 6NH, 8NH	10" N/C
NL	Neo-Loc	3NL, 4NL	9-5/16" N/C
SUFFIXES			ADD
-G	Galvanized Cast Iron		1,212.00
-HP	Heel-Proof Grate		N/C
-SS	Stainless Steel Mesh Liner for Bucket		412.00
-T	Square Top	Z	344.00
		ZN	489.00
-TC	Neo-Loc Test Cap Gasket (3", 4" NL Bottom Outlet Only)		24.00
-TS	Top Secured with Slotted Screws		129.00
-VP	Vandal-Proof Secured Top		149.00
-YF	Free Standing Bucket		N/C

BEST SELLERS	LIST PRICE
Z539-4NH	1,781.00
ZN539-4NH-T	3,050.00

\*Regularly furnished unless otherwise specified.

Items designated as Best Sellers are most specified and are generally in stock for shipment.

⌚ This symbol denotes a product that is engineered to reduce installation and rework time.

For additional product information, please visit [www.zurn.com](http://www.zurn.com)